

高壓全密氣對氣立式鼠籠型泵浦用馬達

MODEL : A EVE

STANDARD 3-PHASE INDUCTION MOTORS
HIGH VOLTAGE (7001~11500V) SQUIRREL CAGE
FRAME NO. (ERV) 500M ~ 1120A



DWG NO.

3A057H974E

REV. 00

		SPECIFICATION TABLE	MODEL
		STANDARD 3-PHASE INDUCTION MOTORS HIGH VOLTAGE SQUIRREL CAGE	A EVE
ITEM		STANDARD SPECIFICATION	
R A T I N G	KIND OF MOTOR	SQUIRREL-CAGE INDUCTION MOTOR (SCIM)	
	DESIGN STANDARD	IEC, NEMA	
	VOLTAGE	7001 ~ 11500 V	
	FREQUENCY	50HZ, 60Hz	
	FRAME NO. (ERV)	500M ~ 1120A	
	OUTPUT RANGE	500 ~ 5500HP (375 ~ 4101kW) 50HZ 500 ~ 5500HP (375 ~ 4101kW) 60HZ	
	R.P.M. (SYN.)	1500 ~ 500R.P.M. (4 ~ 12 POLE) 50HZ 1800 ~ 600R.P.M. (4 ~ 12 POLE) 60HZ	
	TIME DUTY	INVERTER DUTY: CONSTANT TORQUE (CT=3:1); VARIABLE TORQUE (VT=4:1); CONSTANT HORSEPOWER (CHP=1:1.1), OR 1.15 (SINUSOIDAL)	
	PROTECTION ENCLOSURE	TOTALLY ENCLOSED (IP 54)	
	COOLING METHOD	EXTERNAL AND INTERNAL FANS, WITH AIR TO AIR HEAT EXCHANGER WHICH IS AN INDEPENDENT UNIT MOUNTED DIRECTLY ON THE MOTOR (IC 611)	
	MOUNTING	FLANGE MOUNTING (IM 3011)	
A P P L I C A T I O N	POWER CONDITIONS	VOLTAGE $\pm 10\%$, FREQUENCY $\pm 5\%$ AND 10% MAX. OF COMBINED VOLTAGE AND FREQUENCY WITH FREQUENCY NOT TO EXCEED 5%	
	ENVIRONMENT CONDITIONS	PLACE : SHADOW, NON-HAZARDOUS CSA CLASS I, DIV. 2, GROUP, B, C, D, T3 (OPTION) AMBIENT TEMPERATURE : -20 ~ 40°C (STANDARD); -20 ~ +50 (AVAILABLE WHEN REQUEST, FRAME SIZE MAY BY CHANGED) RELATIVE HUMIDITY : LESS THAN 95%RH (NON-CONDENSATION) ALTITUDE : LESS THAN 1,000 METERS	
	OPERATING CONDITIONS	DIRECT COUPLING, SUITABLE FOR FLUID DUTY ONLY	
	DIRECTION OF ROTATION	BI-DIRECTIONAL (4~12P)	
	METHOD OF STARTING	FULL VOLTAGE DIRECT ON LINE	
P E R F O R M A N C E	TEST PROCEDURE	IEC 60034, IEEE 112	
	TYPICAL PERFORMANCE	AS DWG NO. 3A057H978E, 3A057H979E	
	TEMPERATURE RISE	S.F. 1.0 80°C BY RESISTANCE METHOD AT SINEWAVE POWER S.F. 1.15 105°C BY RESISTANCE METHOD AT SINEWAVE POWER S.F. 1.0 105°C BY RESISTANCE METHOD AT INVERTER DUTY	
	OVER SPEED	TWO MIN., 125% MAX. RATED SPEED BELOW 1800RPM	
	OVER TORQUE	160% RATED TORQUE FOR 15 SEC.	

PERFORMANCE DATA												MODEL	
												A EVE	
3-PHASE SQUIRREL CAGE INDUCTION MOTORS HIGH VOLTAGE SQUIRREL CAGE												7001~11500V	
												50Hz	

TEAAC , BS , DESIGN-B , CLASS F INS , CLASS B TEMP , 40°C AMBIENT , S.F.1.0
7001~11500 V 3-PHASE 50HZ

TYPICAL PERFORMANCE

(10000 V)

OUTPUT		FULL LOAD	FRAME NO. (ERV)	TORQUE lb-ft	FULL LOAD						LOCKED ROTOR		BREAK- DOWN TORQUE	ROTOR GD ² KG-M ²	APPROX. WEIGHT KGS		
HP	(kW)				EFFICIENCY (%)			POWER FACTOR (%)			CURRENT A	TORQUE %FLT				CURRENT A	%FLT
					FULL	3/4	1/2	FULL	3/4	1/2							
					LOAD	LOAD	LOAD	LOAD	LOAD	LOAD							
500	375	1480	500M-110R	1774	94.0	93.8	93.4	85.0	82.0	75.0	27.0	95	217	240	75	4800	
		985	500M-110R	2665	93.0	92.6	91.6	83.0	80.0	73.0	27.9	80	179	210	175	5000	
		740	560M-125R	3547	93.0	92.6	91.6	80.0	76.0	68.0	28.9	85	172	210	256	6300	
		590	500C-125R	4449	92.9	92.5	91.4	74.0	69.0	59.0	31.3	85	167	210	310	6400	
		490	560C-140R	5357	93.0	92.6	91.6	69.0	63.0	50.0	33.6	85	166	200	490	8000	
600	450	1480	500M-110R	2128	94.1	94.0	93.4	85.0	82.0	75.0	32.3	80	211	220	78	5000	
		985	560M-125R	3198	93.2	93.0	92.2	83.0	80.0	73.0	33.4	90	211	215	220	6500	
		740	560M-125R	4257	93.1	92.9	91.9	80.0	76.0	68.0	34.7	85	204	220	270	6600	
		590	560C-140R	5339	93.1	92.9	91.9	74.0	69.0	59.0	37.5	85	203	210	440	8400	
		490	630C-160R	6429	93.1	92.9	91.9	71.0	65.0	52.0	39.1	85	201	200	680	10200	
700	520	1480	500M-110R	2483	94.4	94.2	93.4	85.0	83.0	79.0	37.6	85	247	220	80	5500	
		985	560M-125R	3731	93.4	93.0	92.2	83.5	80.5	73.5	38.7	90	240	215	225	7100	
		740	630M-140R	4966	93.4	93.0	92.2	80.0	76.0	68.0	40.3	85	234	220	388	8650	
		590	560C-140R	6229	93.2	92.9	91.9	74.0	69.0	59.0	43.7	85	234	210	449	8700	
		490	710M-160R	7500	93.2	92.9	91.9	71.0	65.0	52.0	45.6	85	232	200	685	10550	
800	600	1480	560M-125R	2838	94.5	94.2	93.4	85.5	83.5	79.5	42.6	85	279	220	132	6200	
		985	630M-140R	4264	93.6	93.0	92.2	83.5	80.5	73.5	44.1	90	275	215	356	8800	
		740	630M-140R	5676	93.6	93.0	92.2	81.0	77.0	69.0	45.4	85	271	220	400	9000	
		590	630C-160R	7119	93.5	92.9	91.9	74.0	69.0	59.0	49.8	85	270	210	810	10500	
		490	800M-160R	8571	93.4	92.9	91.9	72.0	66.0	53.0	51.2	85	268	200	960	13400	
900	670	1480	560M-125R	3193	94.8	94.2	93.4	85.5	83.5	79.5	47.8	85	310	220	140	6500	
		985	630M-140R	4797	93.7	93.0	92.2	83.5	80.5	73.5	49.5	90	307	215	363	9000	
		740	710M-160R	6385	93.7	93.0	92.2	81.0	77.0	69.0	51.1	85	308	220	756	10600	
		590	710M-160R	8008	93.6	92.9	91.9	75.0	70.0	60.0	55.2	85	304	210	849	11200	
		490	800M-160R	9643	93.5	92.9	91.9	77.0	69.0	54.0	53.8	85	301	200	974	13600	
1000	750	1480	560M-125R	3547	95.0	94.8	94.4	85.5	83.5	79.5	53.0	85	349	220	156	7000	
		985	630M-140R	5330	94.1	93.8	93.2	83.5	80.5	73.5	54.8	85	338	220	372	9300	
		740	710M-160R	7095	94.1	93.8	93.2	81.0	77.0	69.0	56.5	90	346	210	780	11000	
		590	800M-160R	8898	94.0	93.7	93.1	76.0	71.0	61.0	60.3	85	338	205	1249	13600	
		490	800A-180R	10714	94.0	93.7	93.1	74.0	67.0	54.0	61.9	90	337	210	1944	16900	

OUTPUT		FULL LOAD RPM	FRAME NO. (ERV)	TORQUE lb-ft	FULL LOAD							LOCKED ROTOR		BREAK- DOWN TORQUE %FLT	ROTOR GD ² KG-M ²	APPROX. WEIGHT KGS
HP	(kW)				EFFICIENCY (%)			POWER FACTOR (%)			CURRENT A	TORQUE %FLT	CURRENT A			
					FULL LOAD	3/4 LOAD	1/2 LOAD	FULL LOAD	3/4 LOAD	1/2 LOAD						
1250	930	1480	630M-140R	4434	95.2	95.0	94.6	86.0	84.0	80.0	65.8	80	432	220	264	8800
		985	710M-160R	6662	94.5	94.4	94.0	83.5	80.5	73.5	68.2	90	432	220	603	11300
		740	710M-160R	8868	94.5	94.4	94.0	81.5	77.5	69.5	69.9	90	430	210	800	11500
		590	800M-160R	11123	94.5	94.4	94.0	76.0	71.0	61.0	75.0	90	429	210	1360	14100
		490	800A-180R	13393	94.4	94.2	93.8	74.0	67.0	54.0	77.1	85	425	210	1984	17500
1500	1120	1480	630M-140R	5321	95.2	95.0	94.6	86.0	84.0	80.0	78.9	80	524	220	275	9000
		985	710M-160R	7995	95.0	94.8	94.4	84.0	81.0	74.0	81.0	90	518	225	623	11700
		740	800M-160R	10642	95.0	94.8	94.4	81.5	77.5	69.5	83.4	85	517	215	920	13700
		590	800A-180R	13347	95.0	94.8	94.4	77.5	72.5	62.5	87.7	90	515	210	2200	17700
		490	900M-200R	16071	95.0	94.8	94.4	75.0	68.0	56.0	90.7	90	509	220	2200	21100
1750	1320	1480	630M-140R	6208	95.2	94.9	94.5	86.0	84.0	80.0	92.1	85	611	225	285	9400
		985	710M-160R	9327	95.0	94.8	94.4	84.0	81.0	74.0	94.5	90	604	220	649	12200
		740	800M-160R	12416	95.0	94.8	94.4	82.0	78.0	70.0	96.8	90	602	215	940	14000
		590	800A-180R	15572	95.0	94.8	94.4	78.0	73.0	63.0	102	85	601	215	2249	18200
		490	900M-200R	18750	95.0	94.8	94.4	75.0	68.0	56.0	106	85	600	215	2300	22200
2000	1500	985	800M-160R	10660	95.2	95.0	94.6	84.5	81.5	74.5	107	90	687	220	750	13700
		740	800A-180R	14189	95.2	95.0	94.6	82.0	78.0	70.0	110	90	675	210	1944	17500
		590	900M-200R	17797	95.2	95.0	94.6	79.0	74.0	64.0	115	85	675	220	2294	20000
		490	900A-200R	21429	95.2	95.0	94.6	76.0	69.0	57.0	119	90	674	220	3700	23800
2500	1850	985	800M-160R	13325	95.4	95.2	94.8	85.0	82.0	75.0	133	85	852	220	794	14000
		740	800A-180R	17736	95.4	95.2	94.8	83.0	79.0	71.0	136	90	844	220	1994	18000
		590	900M-200R	22246	95.4	95.2	94.8	79.0	74.0	64.0	143	85	852	215	2494	21900
		490	900A-200R	26786	95.4	95.2	94.8	76.0	69.0	57.0	149	85	849	210	3750	24400
3000	2240	985	800A-180R	15990	95.8	95.6	95.2	85.0	82.0	75.0	159	85	1018	210	1720	18400
		740	900M-200R	21284	95.8	95.6	95.2	83.0	79.0	71.0	163	90	1022	220	2140	20700
		590	900A-200R	26695	95.8	95.6	95.2	79.0	74.0	64.0	171	85	1032	220	3750	24500
		490	1000M-220R	32143	95.8	95.6	95.2	77.0	71.0	60.0	175	85	1005	210	4049	27700
3500	2650	985	800A-180R	18655	96.0	95.8	95.4	85.0	82.0	75.0	185	88	1200	210	1749	18800
		740	900M-200R	24831	96.0	95.8	95.4	83.0	79.0	71.0	189	85	1192	215	2180	21900
		590	900A-200R	31144	96.0	95.8	95.4	80.0	75.0	65.0	196	85	1186	210	3800	25000
		490	1000A-220R	37500	95.8	95.6	95.2	78.0	73.0	62.0	202	85	1172	210	5640	33000
4000	3000	740	900A-200R	28378	96.0	95.8	95.4	83.5	79.5	71.5	215	85	1360	215	3540	24500
		590	1000M-220R	35593	96.0	95.8	95.4	80.0	75.0	65.0	224	85	1351	210	3720	28000
		490	1000A-220R	42857	96.0	95.8	95.4	78.0	73.0	62.0	230	85	1335	210	5720	34500
4500	3350	740	900A-200R	31926	96.2	96.0	95.6	83.5	79.5	71.5	241	85	1530	215	3600	25000
		590	1000A-220R	40042	96.1	95.9	95.5	81.0	76.0	66.0	249	85	1520	210	5640	34500
		490	1120A-240R	48214	96.0	95.8	95.4	78.5	73.5	62.5	257	80	1502	205	6600	46500
5000	3750	590	1000A-220R	44492	96.0	95.8	95.4	81.0	76.0	66.0	277	80	1669	205	5700	36000
5500	4101	590	1120A-240R	48941	96.1	95.8	95.4	81.5	76.5	66.5	302	80	1835	205	6450	45000

PERFORMANCE DATA										MODEL	
										A EVE	
3-PHASE SQUIRREL CAGE INDUCTION MOTORS HIGH VOLTAGE SQUIRREL CAGE										7001~11500V	
										60Hz	

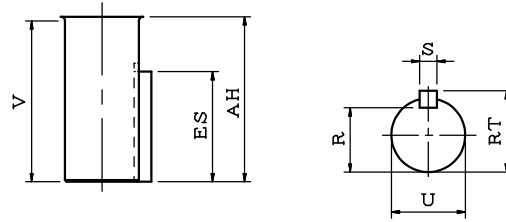
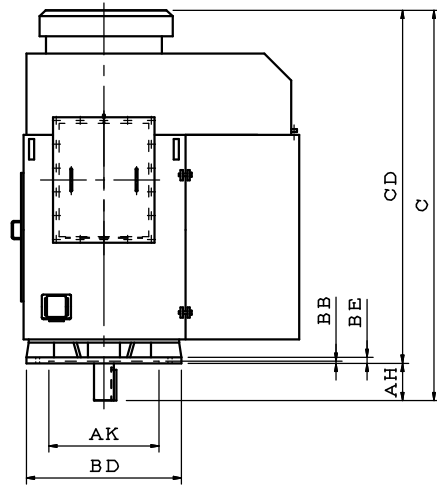
TEAAC , BS , DESIGN-B , CLASS F INS , CLASS B TEMP , 40°C AMBIENT , S.F.1.0
7001~11500 V 3-PHASE 60HZ

TYPICAL PERFORMANCE (10000 V)

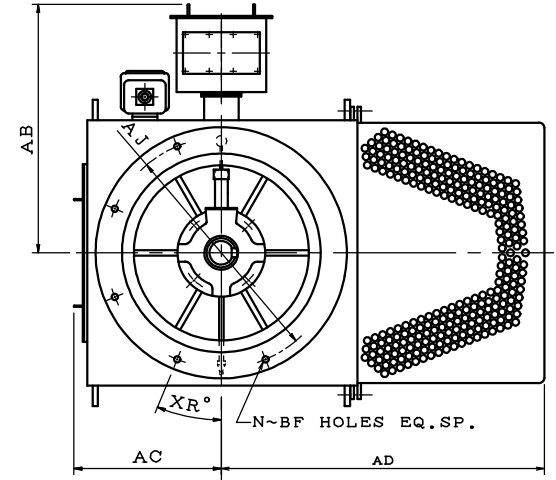
OUTPUT		FULL LOAD RPM	FRAME NO. (ERV)	TORQUE lb-ft	FULL LOAD						LOCKED ROTOR		BREAK- DOWN TORQUE %FLT	ROTOR GD ² KG-M ²	APPROX. WEIGHT KGS	
HP	(kW)				EFFICIENCY (%)			POWER FACTOR (%)			CURRENT A	TORQUE %FLT				CURRENT A
					FULL LOAD	3/4 LOAD	1/2 LOAD	FULL LOAD	3/4 LOAD	1/2 LOAD						
500	375	1780	500M-110R	1475	94.0	93.8	93.4	84.0	80.0	70.0	27.3	100	202	270	78	4900
		1180	500M-110R	2225	93.0	92.6	91.6	83.0	80.0	73.0	27.9	80	178	215	172	5000
		885	560M-125R	2966	93.0	92.6	91.6	80.0	76.0	68.0	28.9	85	172	220	250	6250
		710	500C-125R	3697	92.9	92.5	91.4	74.0	69.0	59.0	31.3	85	167	210	300	6300
		590	560C-140R	4449	93.0	92.6	91.6	69.0	63.0	50.0	33.6	85	166	200	478	7800
600	450	1780	500M-110R	1770	94.2	94.0	93.4	85.0	82.0	75.0	32.3	80	211	220	80	5100
		1180	500M-110R	2669	93.2	93.0	92.2	83.0	80.0	73.0	33.4	90	211	215	178	5200
		885	560M-125R	3559	93.2	92.9	91.9	80.0	76.0	68.0	34.7	85	204	220	264	6450
		710	500C-140R	4437	93.1	92.9	91.9	74.0	69.0	59.0	37.5	85	203	210	320	6600
		590	560C-160R	5339	93.1	92.9	91.9	70.0	64.0	51.0	39.7	85	201	200	499	8200
700	520	1780	500M-110R	2065	94.4	94.2	93.4	85.0	83.0	79.0	37.6	85	247	220	82	5250
		1180	560M-125R	3114	93.4	93.0	92.2	83.0	80.0	73.0	38.9	90	240	215	230	6550
		885	560M-125R	4153	93.4	93.0	92.2	80.0	76.0	68.0	40.3	85	234	220	280	6850
		710	560C-140R	5176	93.2	92.9	91.9	74.0	69.0	59.0	43.7	85	234	210	444	8600
		590	630C-160R	6229	93.2	92.9	91.9	71.0	65.0	52.0	45.6	85	232	200	685	10400
800	600	1780	500M-110R	2360	94.5	94.2	93.4	85.0	83.0	79.0	42.9	85	279	220	84	5550
		1180	560M-125R	3559	93.6	93.0	92.2	83.5	80.5	73.5	44.1	90	275	215	236	6950
		885	630M-140R	4746	93.6	93.0	92.2	80.5	76.5	68.5	45.7	85	271	220	400	8850
		710	560C-140R	5915	93.4	92.9	91.9	74.0	69.0	59.0	49.9	85	270	210	458	8900
		590	710M-160R	7119	93.4	92.9	91.9	71.0	65.0	52.0	52.0	85	268	200	694	10800
900	670	1780	560M-125R	2654	94.8	94.2	93.4	85.5	83.5	79.5	47.8	85	310	220	130	6200
		1180	630M-140R	4004	93.7	93.0	92.2	83.5	80.5	73.5	49.5	90	307	215	372	9200
		885	630M-140R	5339	93.6	92.9	92.0	81.0	77.0	69.0	51.1	85	308	220	405	9200
		710	630C-160R	6655	93.6	92.9	91.9	74.5	69.5	59.5	55.6	85	304	210	849	10800
		590	800M-160R	8008	93.5	92.9	91.9	72.0	66.0	53.0	57.6	85	301	200	974	13600
1000	750	1780	560M-125R	2949	95.0	94.8	94.4	85.5	83.5	79.5	53.0	85	349	220	136	6500
		1180	630M-140R	4449	94.2	93.8	93.2	83.5	80.5	73.5	54.8	85	338	220	381	9400
		885	710M-160R	5932	94.1	93.8	93.2	81.0	77.0	69.0	56.5	90	346	210	770	10800
		710	710M-160R	7394	94.0	93.7	93.1	75.0	70.0	60.0	61.1	85	338	205	900	11300
		590	800M-160R	8898	94.0	93.7	93.1	73.0	67.0	54.0	62.8	90	337	210	984	13900

OUTPUT		FULL LOAD RPM	FRAME NO. (ERV)	TORQUE lb-ft	FULL LOAD							LOCKED ROTOR		BREAK- DOWN TORQUE %FLT	ROTOR GD ² KG-M ²	APPROX. WEIGHT KGS
HP	(kW)				EFFICIENCY (%)			POWER FACTOR (%)			CURRENT A	TORQUE %FLT	CURRENT A			
					FULL LOAD	3/4 LOAD	1/2 LOAD	FULL LOAD	3/4 LOAD	1/2 LOAD						
1250	930	1780	560M-125R	3687	95.2	95.0	94.6	85.5	83.5	79.5	66.1	80	432	220	160	7200
		1180	630M-140R	5561	94.6	94.4	94.0	83.5	80.5	73.5	68.2	90	432	220	384	9600
		885	710M-160R	7415	94.5	94.4	94.0	81.0	77.0	69.0	70.3	90	430	210	800	11400
		710	800M-160R	9243	94.5	94.4	94.0	76.0	71.0	61.0	75.0	90	429	210	1360	14000
		590	800A-180R	11123	94.4	94.2	93.8	73.0	67.0	54.0	78.1	85	425	210	1849	16900
1500	1120	1780	630M-140R	4424	95.2	95.0	94.6	86.0	84.0	80.0	78.9	80	524	220	272	9000
		1180	710M-160R	6674	95.0	94.8	94.4	83.5	80.5	73.5	81.4	90	518	225	623	11700
		885	710M-160R	8898	95.0	94.8	94.4	81.5	77.5	69.5	83.4	85	517	215	815	11900
		710	800M-160R	11092	95.0	94.8	94.4	76.0	71.0	61.0	89.5	90	515	210	1400	14300
		590	800A-180R	13347	95.0	94.8	94.4	73.5	68.5	56.5	92.5	90	509	220	1994	17800
1750	1320	1780	630M-140R	5162	95.2	94.9	94.5	86.0	84.0	80.0	92.1	85	611	225	285	9300
		1180	710M-160R	7786	95.0	94.8	94.4	84.0	81.0	74.0	94.5	90	604	220	649	12100
		885	800M-160R	10381	95.0	94.8	94.4	82.0	78.0	70.0	96.8	90	602	215	940	13700
		710	800A-180R	12940	95.0	94.8	94.4	78.0	73.0	63.0	102	85	601	215	2249	18200
		590	900M-200R	15572	95.0	94.8	94.4	74.0	68.0	56.0	107	85	600	215	2320	22100
2000	1500	1780	630M-140R	5899	95.4	95.2	94.8	86.0	84.0	80.0	105	85	679	225	294	9550
		1180	710M-160R	8898	95.2	95.0	94.6	84.5	81.5	74.5	107	90	687	220	666	12350
		885	800M-160R	11864	95.2	95.0	94.6	82.0	78.0	70.0	110	90	675	210	950	13950
		710	800A-180R	14789	95.2	95.0	94.6	79.0	74.0	64.0	115	85	675	220	2270	18400
		590	900M-200R	17797	95.2	95.0	94.6	75.0	69.0	57.0	121	90	674	220	2400	22500
2500	1850	1180	800M-160R	11123	95.4	95.2	94.8	85.0	82.0	75.0	133	85	852	220	794	14000
		885	800A-180R	14831	95.4	95.2	94.8	83.0	79.0	71.0	136	90	844	220	1980	18000
		710	900M-200R	18486	95.4	95.2	94.8	79.0	74.0	64.0	143	85	852	215	2360	21200
		590	900A-200R	22246	95.4	95.2	94.8	75.0	69.0	57.0	150	85	849	210	3750	24000
3000	2240	1180	800M-160R	13347	95.8	95.6	95.2	85.0	82.0	75.0	159	85	1018	210	805	14200
		885	800A-180R	17797	95.8	95.6	95.2	83.0	79.0	71.0	163	90	1022	220	2020	18400
		710	900M-200R	22183	95.8	95.6	95.2	79.0	74.0	64.0	171	85	1032	220	2380	21900
		590	900A-200R	26695	95.8	95.6	95.2	76.0	70.0	58.0	177	90	1031	215	3840	24900
3500	2650	1180	800A-180R	15572	95.8	95.6	95.2	85.0	82.0	75.0	185	85	1188	210	1740	18500
		885	900M-200R	20763	95.8	95.6	95.2	83.0	79.0	71.0	190	90	1192	220	2180	20900
		710	900A-200R	25880	95.8	95.6	95.2	79.0	74.0	64.0	199	85	1204	220	3800	24800
		590	1000M-220R	31144	95.8	95.6	95.2	77.0	71.0	60.0	204	85	1172	210	4049	27700
4000	3000	1180	800A-180R	17797	96.0	95.8	95.4	85.0	82.0	75.0	211	88	1372	210	1780	19000
		885	900M-200R	23729	96.0	95.8	95.4	83.0	79.0	71.0	216	85	1363	215	2210	22000
		710	900A-200R	29577	96.0	95.8	95.4	80.0	75.0	65.0	224	85	1356	210	3850	25500
		590	1000A-220R	35593	95.8	95.6	95.2	78.0	73.0	62.0	231	85	1339	210	5700	33300
4500	3350	885	900A-200R	26695	96.0	95.8	95.4	83.5	79.5	71.5	242	85	1530	215	3600	24800
		710	1000M-220R	33275	96.0	95.8	95.4	80.0	75.0	65.0	252	85	1520	210	3770	28000
		590	1000A-220R	40042	96.0	95.8	95.4	78.0	73.0	62.0	259	85	1502	210	5780	35000
5000	3750	885	900A-200R	29661	96.2	96.0	95.6	83.5	79.5	71.5	268	85	1700	215	3650	25400
		710	1000A-220R	36972	96.1	95.9	95.5	81.0	76.0	66.0	277	85	1689	210	5690	34800
		590	1120A-240R	44492	96.0	95.8	95.4	78.5	73.5	62.5	286	80	1669	205	6660	47000
5500	4101	710	1000A-220R	40669	96.0	95.8	95.4	81.0	76.0	66.0	305	80	1835	205	5710	35500

VERTICAL STANDARD SOLID SHAFT, TEAAC TYPE, SQUIRREL CAGE ROTOR.



SHAFT EXTENSION DETAIL



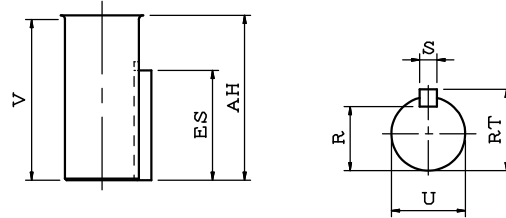
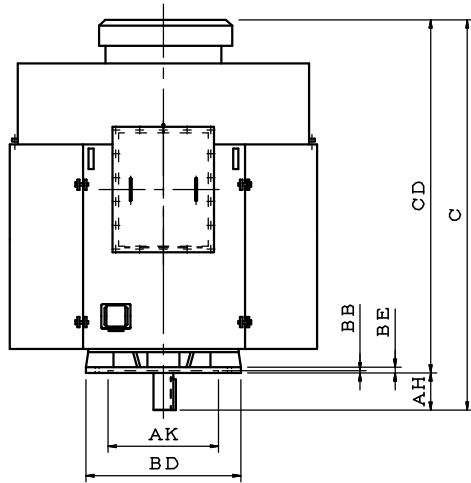
DIMENSIONS IN mm (INCH)

FRAME NO.	NO. OF POLES	MOUNTING							AB	AC	AD	CD	C	SHAFT EXTENSION				KEY SIZE			BEARING		FRAME No.
		AK	AJ	BD	BB	BE	N~BF	XR						U	AH	V	R	ES	S	RT	UPPER	LOWER	
500M	4P&UP	863.6 (34)	1016 (40)	1115 (44)	8 (0.32)	40 (1.58)	8-28.5 (8-1.125)	22.5	1535 (60.4)	665 (26.2)	1490 (58.7)	2040 (80.3)	2250 (88.57)	110 (4.331)	210 (8.27)	197 (7.76)	100 (3.937)	160 (6.3)	28 (1.102)	116 (4.57)	7324B	6226C3	500M
500C	10P&UP											2490 (98.0)	2700 (106.30)	125 (4.921)	210 (8.27)	197 (7.76)	114 (4.488)	160 (6.3)	32 (1.260)	132 (5.20)		6230C3	500C

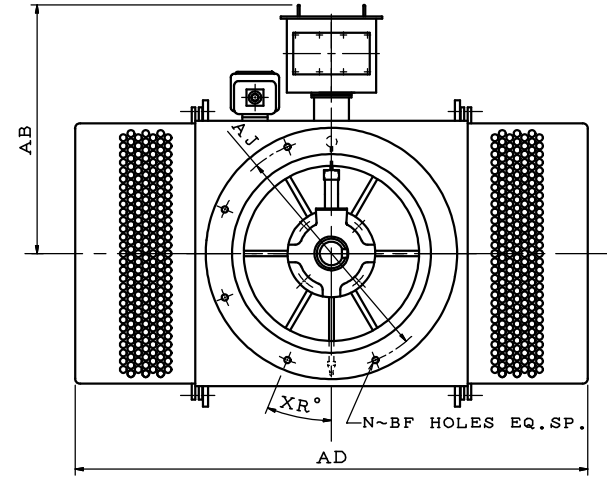
1. USABLE SHAFT LENGTH:V
2. UPPER BRG:ANTI-FRICTION BRG GREASE LUBRICATION
3. LOWER BRG:ANTI-FRICTION BRG GREASE LUBRICATION

OUTLINE DIMENSIONS SHEET
 DWG NO.
 3-PHASE INDUCTION MOTOR
 FRAME NO. (ERV)500M-1120A

VERTICAL STANDARD SOLID SHAFT, TEAAC TYPE, SQUIRREL CAGE ROTOR.



SHAFT EXTENSION DETAIL



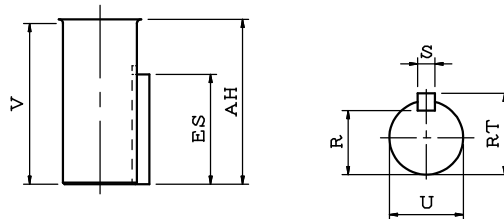
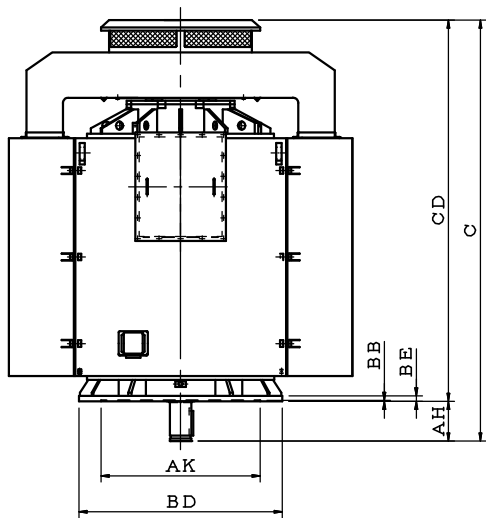
DIMENSIONS IN mm(INCH)

FRAME NO.	NO. OF POLES	MOUNTING							XR	AB	AD	CD	C	SHAFT EXTENSION				KEY SIZE			BEARING		FRAME No.
		AK	AJ	BD	BB	BE	N~BF	U						AH	V	R	ES	S	RT	UPPER	LOWER		
560M	4P&UP	965.2 (38)	1117.6 (44)	1220 (48)	10 (0.39)	40 (1.58)	8-28.5 (8-1.125)	22.5	1585 (62.4)	2306 (90.8)	2250 (88.6)	2460 (96.85)	125 (4.921)	210 (8.27)	197 (7.76)	114 (4.488)	160 (6.3)	32 (1.260)	132 (5.20)	7324B	6230C3	560M	
560C	10P&UP										2750 (108.3)	3000 (118.11)	140 (5.512)	250 (9.84)	237 (9.33)	128 (5.039)	200 (7.8)	36 (1.417)	148 (5.83)			560C	
630M	4P&UP	1066.8 (42)	1219.2 (48)	1370 (54)	10 (0.39)	45 (1.78)	12-28.5 (12-1.125)	15°	1660 (65.4)	2555 (100.6)	2360 (92.9)	2610 (102.76)								7330B	6230C3	630M	
630C	10P&UP										2960 (116.5)	3260 (128.35)	160 (6.299)	300 (11.81)	287 (11.30)	147 (5.787)	250 (9.8)	40 (1.575)	169 (6.65)			630C	
710M	6P&UP	1117.6 (44)	1320.8 (52)	1525 (60)	10 (0.39)	45 (1.78)	12-28.5 (12-1.125)	15°	1733 (68.2)	2700 (106.3)	2515 (99.0)	2815 (110.81)								7330B	6234C3	710M	
800M	6P&UP	1270.0 (50)	1473.2 (58)	1675 (66)	10 (0.39)	45 (1.78)	12-28.5 (12-1.125)	15°	1810 (71.3)	2955 (116.3)	2685 (105.7)	2985 (117.5)								7334B	6234C3	800M	
800A	8P&UP										3035 (119.5)	3335 (131.3)	180 (7.087)	300 (11.81)	287 (11.30)	165 (6.496)	250 (9.8)	45 (1.772)	190 (7.48)			800A	

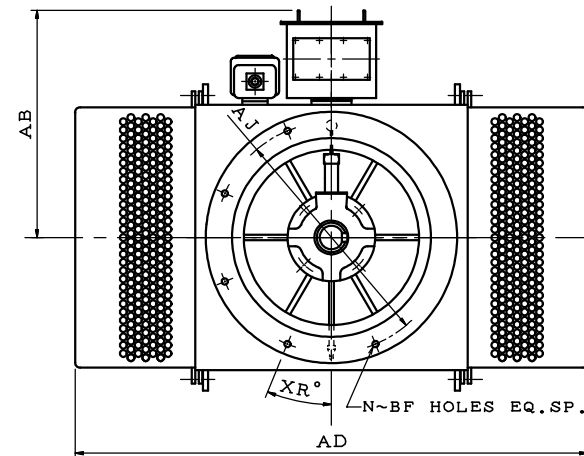
1. USABLE SHAFT LENGTH:V
2. UPPER BRG:ANTI-FRICTION BRG GREASE LUBRICAION
3. LOWER BRG:ANTI-FRICTION BRG GREASE LUBRICAION

OUTLINE DIMENSIONS SHEET
 DWG NO.
 3-PHASE INDUCTION MOTOR
 FRAME NO. (ERV)500M-1120A

VERTICAL STANDARD SOLID SHAFT, TEAAC TYPE, SQUIRREL CAGE ROTOR.



SHAFT EXTENSION DETAIL



DIMENSIONS IN mm(INCH)

FRAME NO.	NO. OF POLES	MOUNTING							AB	AD	CD	C	SHAFT EXTENSION				KEY SIZE			BEARING		FRAME NO.
		AK	AJ	BD	BB	BE	N~BF	XR					U	AH	V	R	ES	S	RT	UPPER	LOWER	
900M	8P&UP	1473.2 (58)	1676.4 (66)	1880 (74)	10 (0.39)	50 (1.97)	12-35 (12-1.38)	15°	1745 (68.7)	3175 (125.0)	3135 (123.4)	3485 (137.20)	200 (7.874)	350 (13.78)	337 (13.27)	185 (7.677)	280 (11.0)	45 (1.772)	210 (8.27)	8P: 29340+6038	6044C3	900M
900A	8P&UP										3535 (139.2)	3885 (152.95)								10P&UP: 29340		900A
1000M	10P&UP	1676.4 (66)	1879.6 (74)	2085 (82)	10 (0.39)	50 (1.97)	12-35 (12-1.38)	15°	1845 (72.6)	3400 (133.9)	3435 (135.2)	3785 (149.02)	220 (8.661)	350 (13.78)	337 (13.27)	203 (7.992)	280 (11.0)	50 (1.969)	231 (9.09)		6048C3	1000M
1000A	10P&UP										3835 (151.0)	4245 (167.13)										1000A
1120A	10P&UP	1879.6 (74)	2082.8 (82)	2285 (90)	10 (0.39)	55 (2.17)	16-35 (16-1.38)	11.25°	1945 (76.6)	3775 (148.6)	4085 (160.8)	4495 (176.97)	240 (9.449)	410 (16.14)	397 (15.63)	220 (8.661)	360 (14.2)	56 (2.205)	252 (9.92)		6052C3	1120A

1. USABLE SHAFT LENGTH:V
2. LOWER BRG:ANTI-FRICTION BRG GREASE LUBRICATION

OUTLINE DIMENSIONS SHEET
 DWG NO.
 3-PHASE INDUCTION MOTOR
 FRAME NO. (ERV)500M-1120A